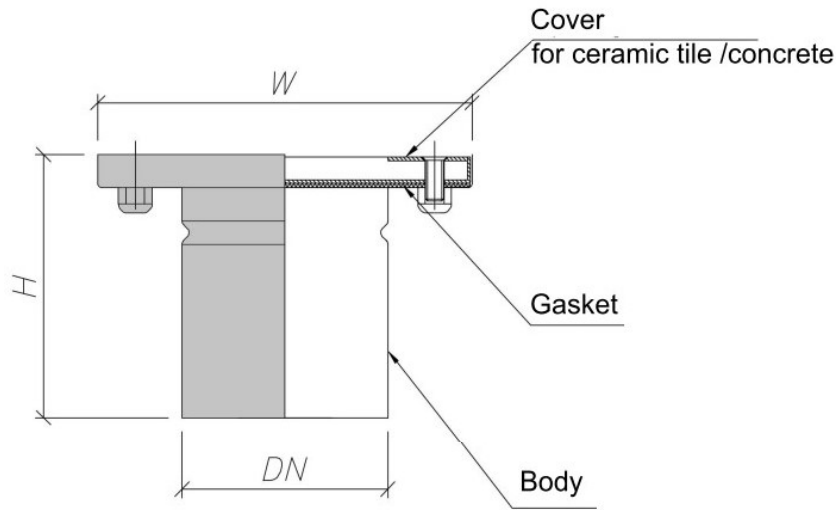


**RODDING EYE WITH SQUARE UPPER PART,
COVER FOR CERAMIC TILE/CONCRETE -ONE PART
VERTICAL**



Symbol	catalog number	dimensions [mm]					
		W	H	h	DN	D	D _k
RVP200.110.V1	01.422.218.1	200x200	140	-	110	-	-
RVP200.160.V1	01.422.318.1	200x200	140	-	160	-	-
RVP250.160.V1	01.423.318.1	250x250	140	-	160	-	-
RVP250.200.V1	01.423.418.1	250x250	140	-	200	-	-
RVP300.110.V1	01.424.218.1	300x300	140	-	110	-	-

(* individual dimensions on request

 **RODDING EYE COMPONENTS**

Body

Rubber Gasket

Cover: **K3**: for ceramic tile /concrete

 **MATERIAL**

Stainless Steel AISI 304 or AISI 316

 **Edge reinforcement**

No