

# Floor access cover system MA-GBZ

Stainless steel – with assisted opening and central closure

MasterLine

NEW

## Product description:

The floor access cover system MA-GBZ is made of 2.5 mm stainless steel. The tray depth is 50 mm and the structural height amounts to 75 mm only. The frame is equipped with a circumferential, frost- and weather-resistant special sealing joint, which is largely odor- and water-tight. The frame is set in concrete on grade. Subsequently, the tray can be filled and inserted into the frame. The opening process is supported by the high-quality gas pressure springs in a way that the manhole cover can be opened and closed by one single person. The access cover can be opened from the outside and the inside. The tray can be filled with paving, tiles, concrete, artificial resin, granite, terrazzo tiles, wood and hard floor covering or other materials.

## Load:

- Up to 125 kN testing force according to EN 124 (class B125)

## Material:

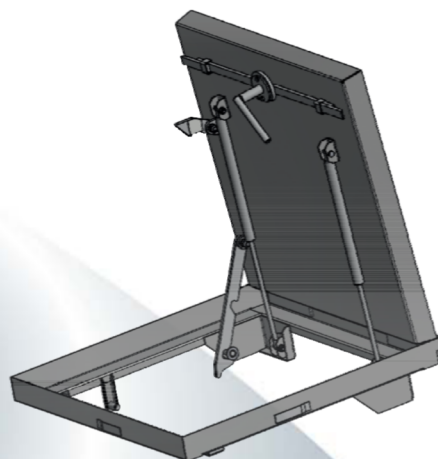
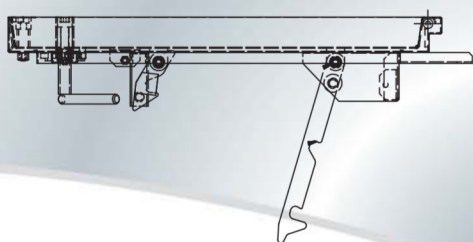
- Frame and tray made of 2.5 mm stainless steel

## Areas of use:

For on grade manholes in indoor or outdoor areas, for which highest quality is required.



Item no.	Overall frame size	Clear opening
MA-GBZ-600600E75	700 x 721 mm	600 x 600 mm
MA-GBZ-800800E75	900 x 921 mm	800 x 800 mm
MA-GBZ-10001000E75	1100 x 1121 mm	1000 x 1000 mm



## Customized solutions:

Customized sizes can be produced in every dimension upon enquiry.

**Application options:** For manholes which are to be opened quickly and without particular exertion from the outside or the inside. Particularly suitable for underground passages, metro passages, supply shafts of companies or telephone shafts.

**Opening:** A lifting key and installation instructions are included with every FF floor access cover.

## Installation:

The installation shall be implemented in a professional manner in accordance with our installation instructions. With types with special sealing joint, a tight connection to the frame profile is to be ensured.

## Special benefits of our system

- With frost- and weather-resistant special sealing joint
- With fixing anchors for safe support
- Almost invisible in the installed state
- Tray depth amounts to 50 mm
- With additional reinforcement cross-braces
- With gas pressure springs as opening assistance
- Can be opened from the outside and the inside

FF Systembau

Access Covers